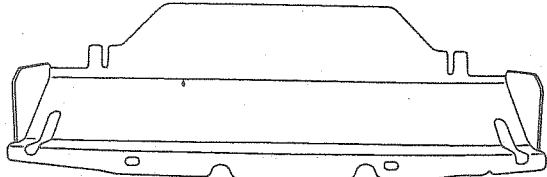


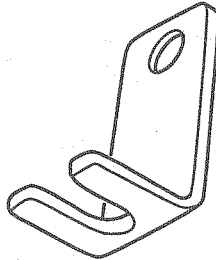


MOPAR.

Jeep Wrangler Skid Plate



A



B 2x



C 2x



D 2x



E 2x



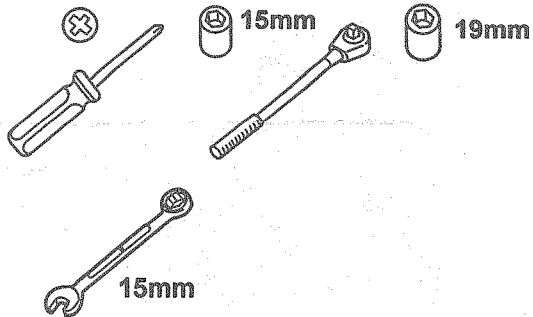
F 2x



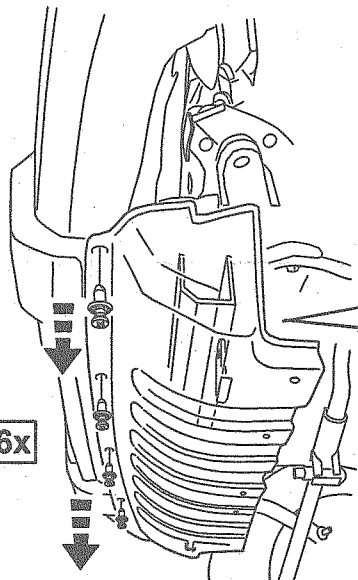
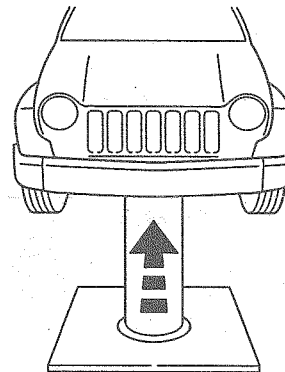
G 4x



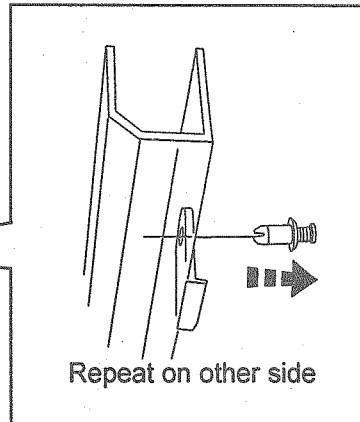
H 4x



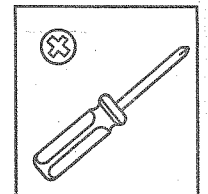
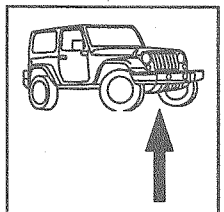
1



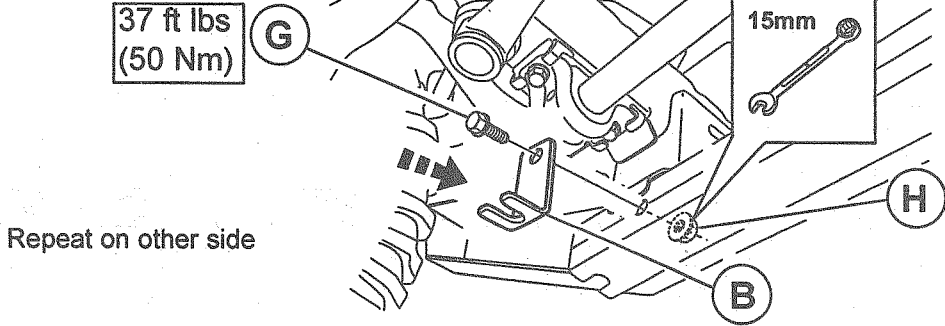
6x



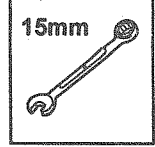
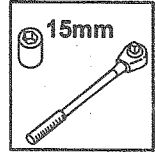
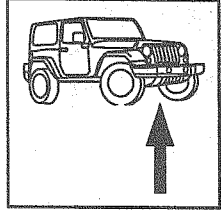
Repeat on other side



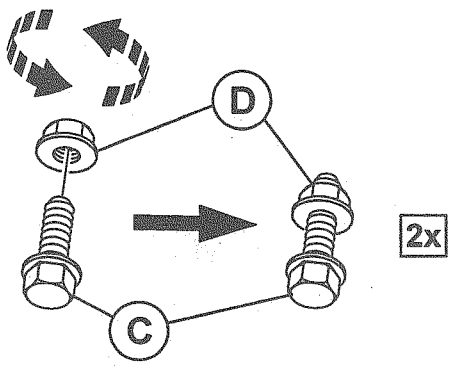
2



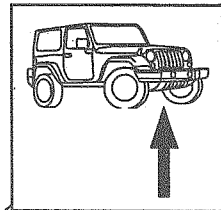
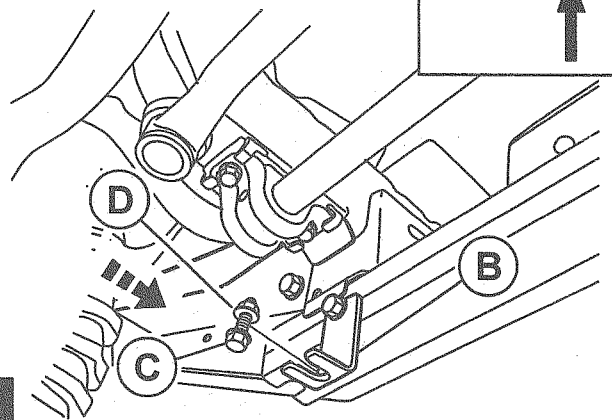
Repeat on other side



3

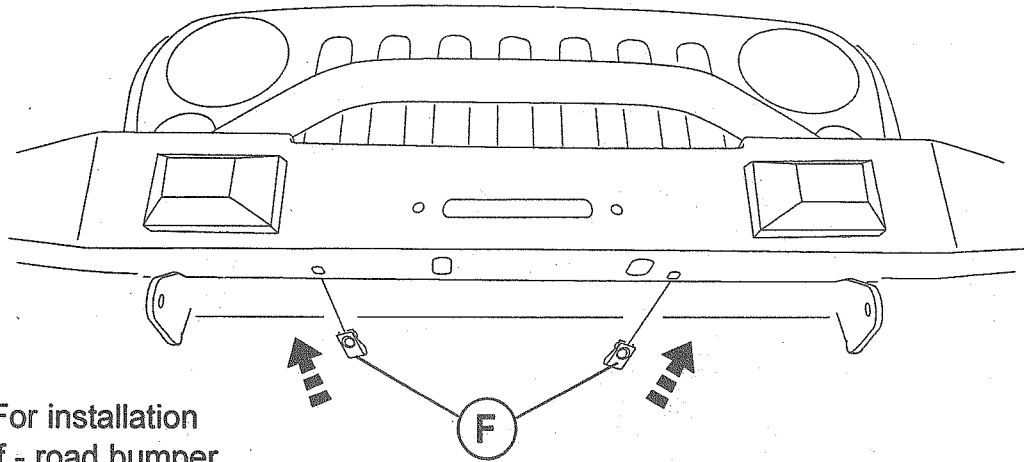


Repeat on other side



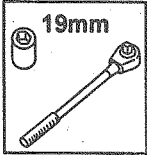
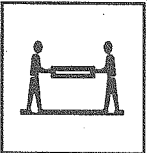
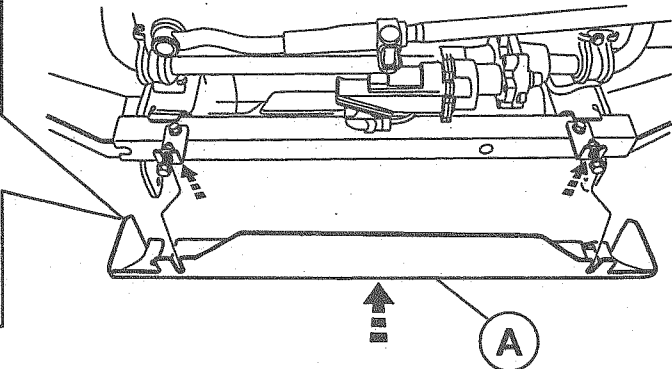
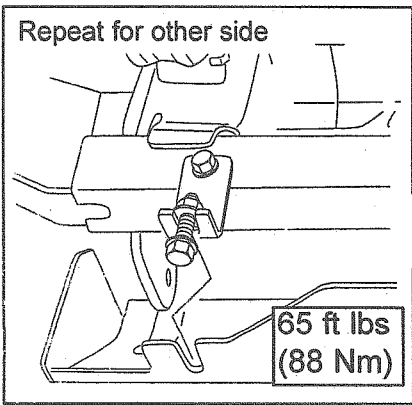
4

5

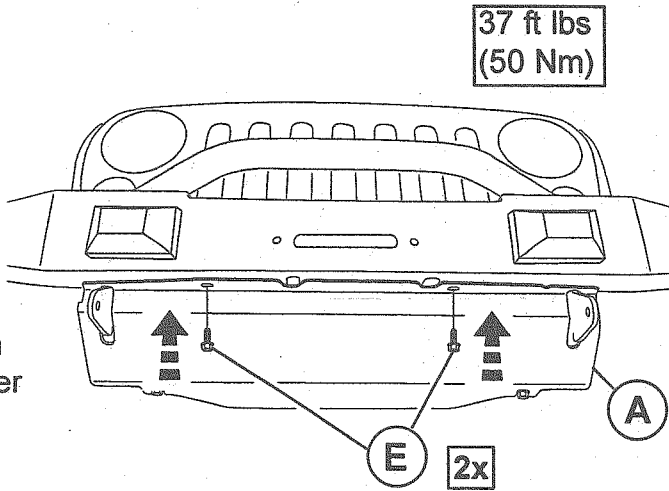


Note: For installation with off - road bumper

6



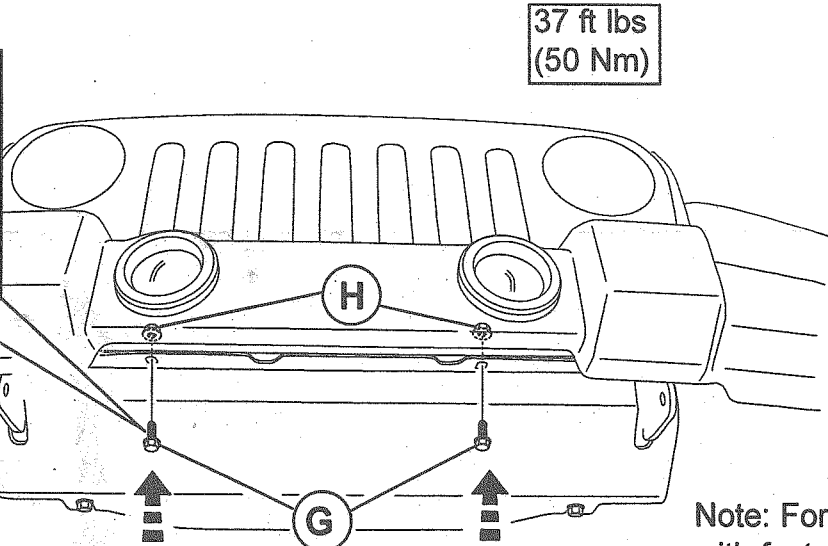
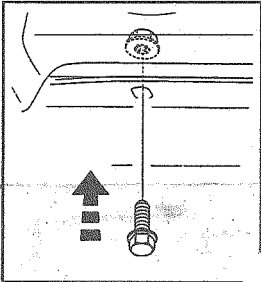
7



Note: For installation with off - road bumper



8



Note: For installation with factory bumper



9

